

# vertical auger mixers

## Duplo twin auger vertical mixer



**TATOMA**  
GRUPO

Gráficas CAMPO - Edición: marzo 2016

### technical specifications twin auger vertical mixer

	Mixing Cap. m³	Power HP	Tyres	A (mm.)	B (mm.)	C (mm.)	D (mm.)	E (mm.)	F (mm.)	Weight Kg.	
<b>front conveyor</b>	MV-14 duplo	14	70	445/45-19.5	7287	4859	2250	1942	2340	713	5965
	MV-16 duplo	16	75	445/45-19.5	7332	4859	2250	1942	2677	713	6130
	MV-18 duplo	18	80	445/45-19.5	7680	5099	2300	1942	2679	713	6670
	MV-20 duplo	20	90	445/45-19.5	7728	5099	2300	1942	2839	713	6970
	MV-22 duplo	22	95	445/45-19.5	7779	5099	2300	1942	3009	713	7250
	MV-24 duplo	24	110	445/45-19.5 <sup>(*)</sup>	8084	4690	2435	2042/2242 <sup>(**)</sup>	3107	851	8770
<b>back conveyor</b>	MV-14 duplo	14	70	445/45-19.5	7459	4859	2250	1942	2340	713	6015
	MV-16 duplo	16	75	445/45-19.5	7459	4859	2250	1942	2677	713	6180
	MV-18 duplo	18	80	445/45-19.5	7859	5099	2300	1942	2679	713	6720
	MV-20 duplo	20	90	445/45-19.5	7859	5099	2300	1942	2839	713	7020
	MV-22 duplo	22	95	445/45-19.5	7859	5099	2300	1942	3009	713	7300
	MV-24 duplo	24	110	445/45-19.5 <sup>(*)</sup>	8109	4690	2435	2042/2242 <sup>(**)</sup>	3107	851	8820
<b>side door</b>	MV-14 duplo	14	70	445/45-19.5	7087	4859	2390	1942	2340	682	5800
	MV-16 duplo	16	75	445/45-19.5	7132	4859	2390	1942	2677	682	5935
	MV-18 duplo	18	80	445/45-19.5	7505	5099	2440	1942	2679	682	6460
	MV-20 duplo	20	90	445/45-19.5	7553	5099	2440	1942	2839	682	6750
	MV-22 duplo	22	95	445/45-19.5	7604	5099	2440	1942	3009	682	7020
	MV-24 duplo	24	110	445/45-19.5 <sup>(*)</sup>	7909	4690	2575	2042/2242 <sup>(**)</sup>	3107	820	8495
MV-26 duplo	26	130	445/45-19.5 <sup>(*)</sup>	7957	4690	2575	2042/2242 <sup>(**)</sup>	3267	820	8690	
MV-30 duplo	30	150	445/45-19.5 <sup>(*)</sup>	7950	5384	2575	2242	3429	890	8840	

<sup>(\*)</sup> Boggie axle 4 wheels <sup>(\*\*)</sup> 2042 mm: nonsteering axle boggie 2242 mm: backsteering axle boggie



Front straw blower



Vertical movement flap

### Built in blower

- Front or back blower
- Long range blow 18 m.
- Blower turbine driven from the two speed gear box
- Right side chute (optional swivel chute)



Boggie axle **OPTION**  
standard on MV24 and MV26

Steering bogie axle as standard on MV24, 26 et 30 (Optional forced steering axle)

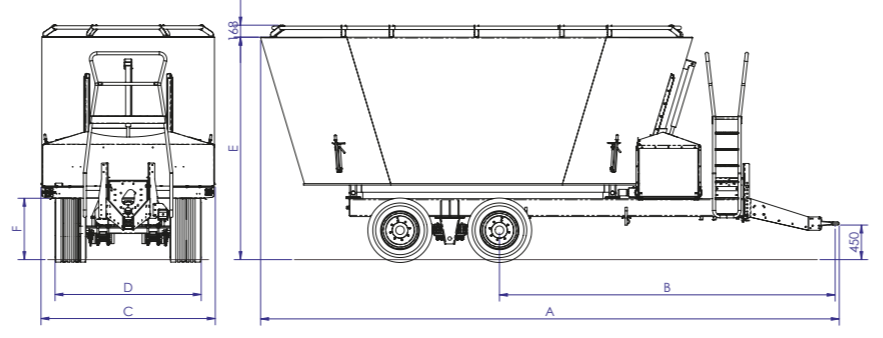


30+30° swivel flap

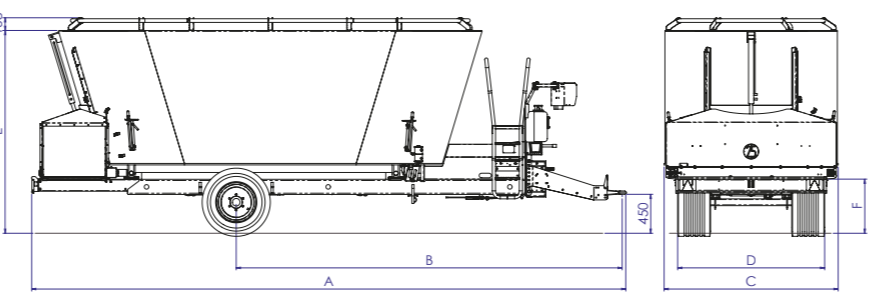


Swivel chute

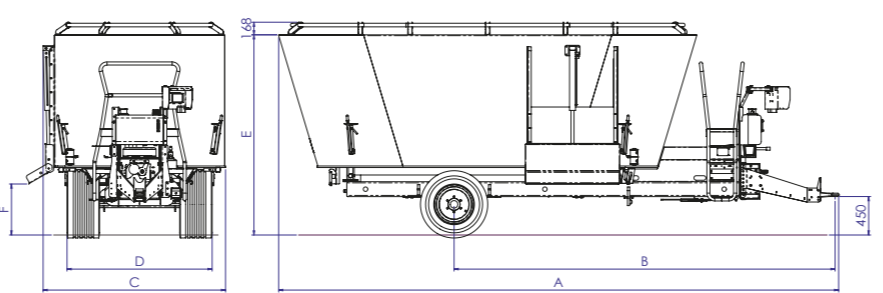
### Front conveyor



### Back conveyor



### Side door

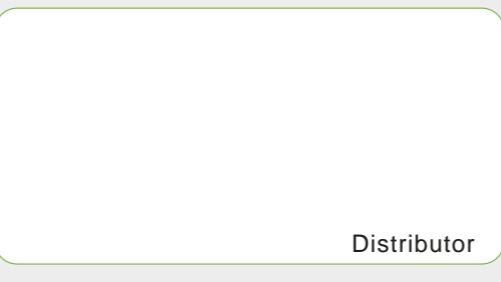


**INGENIERÍA Y MONTAJES MONZÓN, S.L. (INMOSA)**

Polígono Industrial PAULES 53-55  
22400 Monzón (Huesca) ESPAÑA

Tel: (+34) 974 401 336  
FAX: (+34) 974 400 670

inmosa@grupotatoma.com  
www.grupotatoma.com



Distributor



Hydraulic tank **OPTION**



Front conveyor

**OPTION** Front conveyor

High adjustable draw bar

**SERIAL** Hydraulic stand



detail elevator on side door



detail back conveyor



Back door

## Twin auger vertical mixer

The Two Augers Vertical Mixer "DUPLo" system has been specifically designed to quickly and efficiently process entire round and rectangular bales and meet the needs of any size of dairy or cattle farm thanks to a wide range of capacities available.

The mixing chamber and augers design allows for easy circulation of the mix ingredients without degradation. TATOMA system cuts and mixes the ingredients simultaneously and reduces the daily feeding workload and the result is a more uniform and fluffy feed mixture easier to ingest for the animals.

The two heavy duty 90° gear boxes require very little horsepower to rotate the augers, even though the toughest material. Its simple design features few moving parts with no chains or sprockets to worry about. All our machines are driven by two speed gear box allowing the machine to be handled by very low horse power tractor.

The mixing chamber is lying to a fully independent chassis utilizing four load cells. The design provides maximum strength and accuracy allowing you to create rations for better TMR management.

Several options are available for our duplo machines to adapt the mixer for individual requirements and specially designed to provide more accurate placement of the feed and to adapt the machine for the farm conditions.

More than 25 years of experience allows TATOMA to provide a very accurate machine built with very high quality materials to deliver many years of trouble free service.



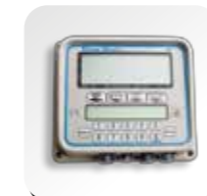
Foldable elevator



Twin wheels



Twin auger



Programmable scale



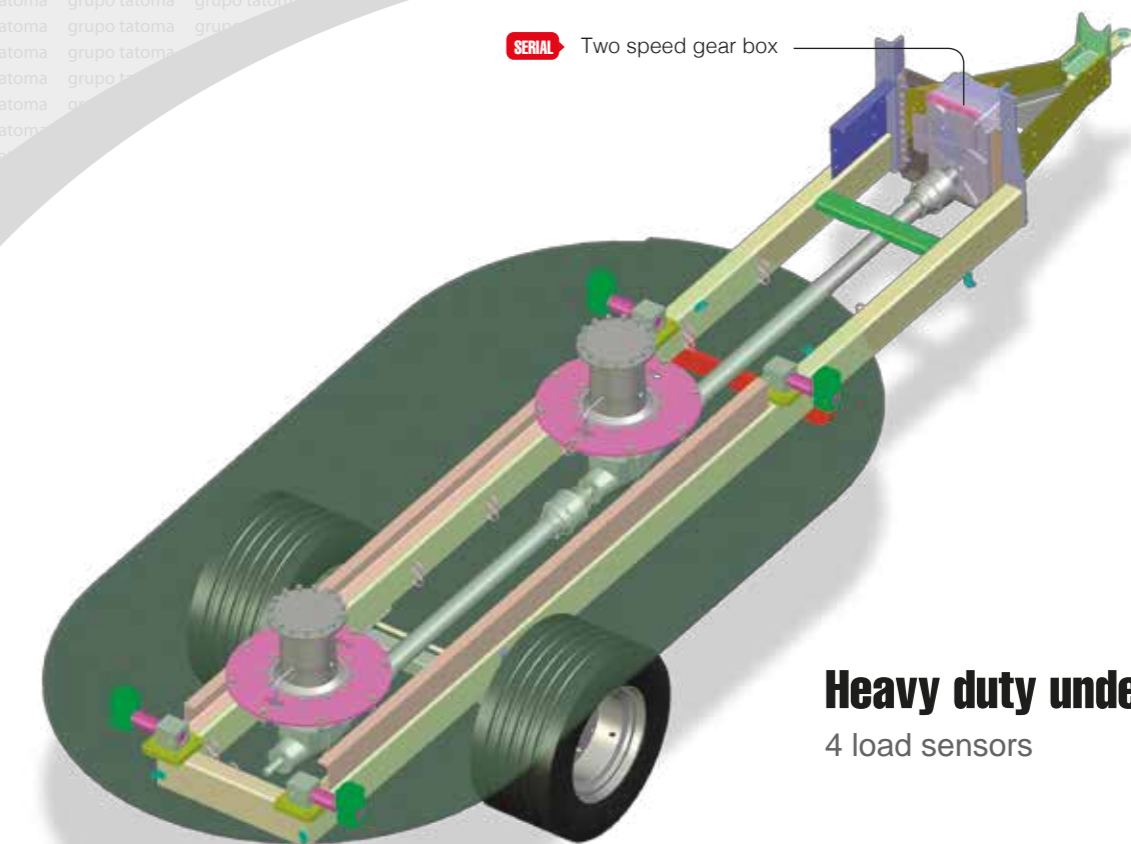
Hydraulic counter knives



Electro-hydraulic controls



Antioverflow ring



**SERIAL** Two speed gear box

## Heavy duty undercarriage

4 load sensors