



TATOMA
GRUPO

**vertical
mixer wagon**
three augers **triplo**



Hydraulic oil tank

Independent chassis frame



Sliding conveyor belt



Electric hydraulic 2 speed gear box



Magnet



Reversible and height adjustable drawbar

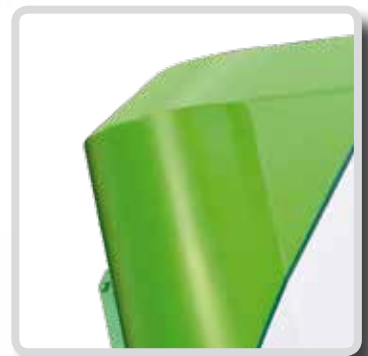
Battery



Hydraulic counterblades



Hydraulic foot



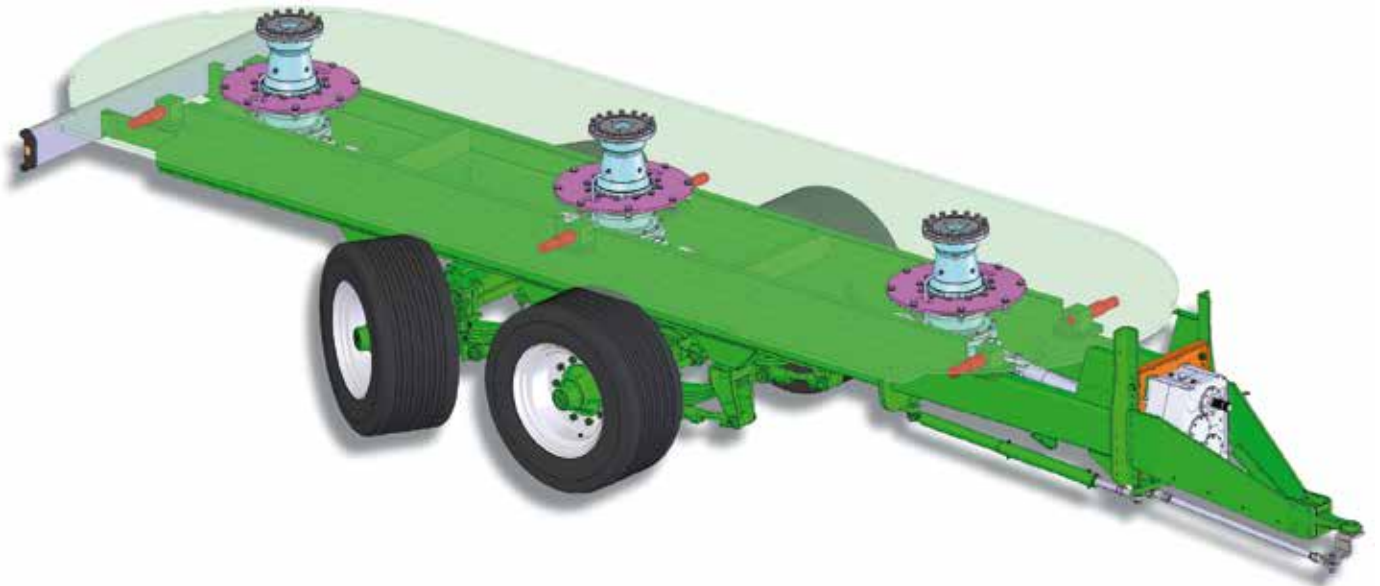
Solid anti overflowing ring



Ladder with both sides access



Tridem steering forced (standard equipemnt on MV 40 and 45)



Tandem steering axle on MV30 and 35 (optional forced steering)



BLOWER / BEDDING TURBINE

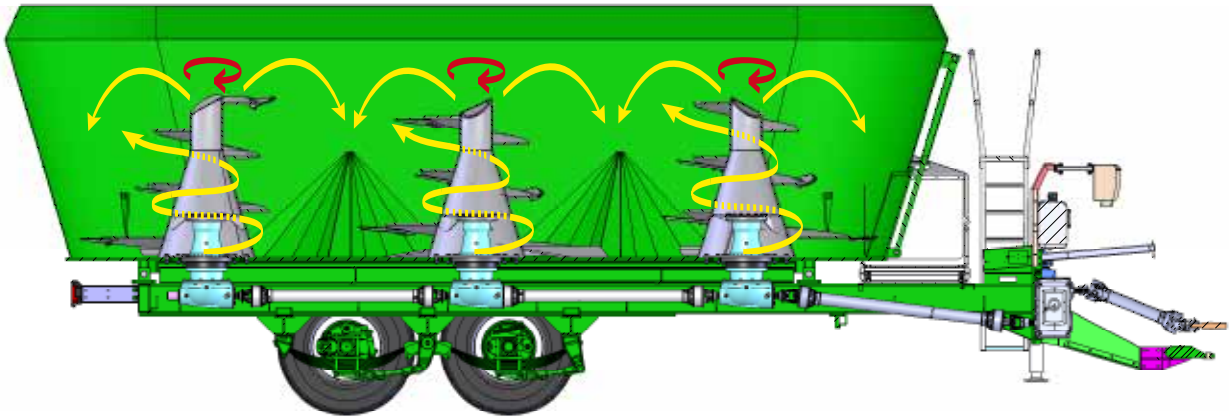
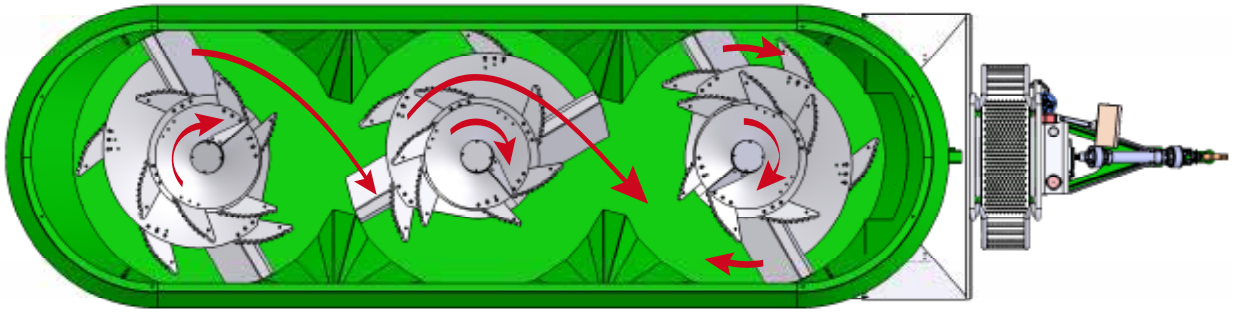
Large diameter (1.5 m) turbine blower driven by mechanical transmission (hydraulic for rear turbine). Equipped with a high-performance two-speed gear system, enabling it to blow the product 18-20 m at high speed and 6-8 m at low speed. The product's high level of efficiency makes it ideal for bedding cubicles through its vertically adjustable cap and large open areas through its horizontally adjustable visor solution. The rotary chute can distribute the product on both sides of the machine. Inside the turbine has reinforced interchangeable blades to ensure the constant air flow required for uniform straw distribution.



Swivel flap 30° + 30°



300° rotary chute



MIXING SYSTEM

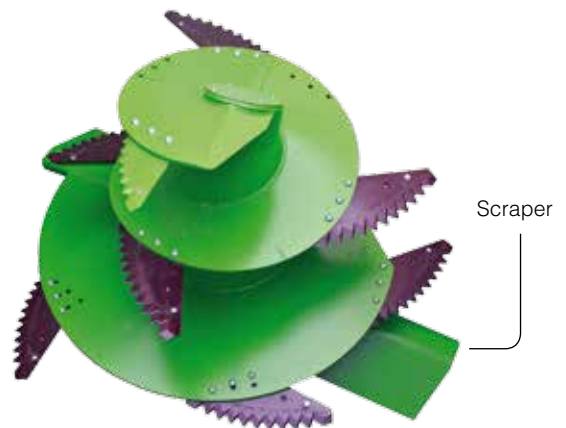
The perfect combination between the size of the augers, mixing tub geometry and the arrangement of the mixing augers relative to each other, ensures an efficient mixing process and consistency in the mix, while respecting the structure of each of the ingredients involved in the process. The asymmetric arrangement of the augers and the separator triangles ensures the product moves efficiently between the different mixing areas, combining a high use of volume with a lower power demand. This combination of factors results in an excellent product flow not only in the mixing process but also in the product distribution during discharge.

AUGER

Aware of the importance of a good match between the size of the augers and the volume of the Tub, Tatoma has countless different sizes to suit the characteristics of the machine in each case. The vertical auger is equipped with interchangeable serrated knives which are adjustable to two positions. When designing the auger, the different mix types found were taken into consideration. Sometimes these may be largely wet with a short fibre and in other cases dry with a long fibre. After

ADVANTAGES

- Low power consumption
- Ideal product flow
- Maximum use of Tub mixing volume
- Respects the structure of the ingredients of the mixture



High wear resistance, adjustable blades

years of experience in the industry Tatoma has developed an auger able to work with any mix type ensuring maximum homogeneity and ideal distribution. The lower large diameter spiral ensures regular discharge regardless of the type of mixture. In turn, the combination of the pitch between the spirals and their diameter guarantees perfect product movement, quick, efficient chopping, low fuel consumption and full, regular emptying of the Tub.



Side door discharge



Load cells



Programmable scale



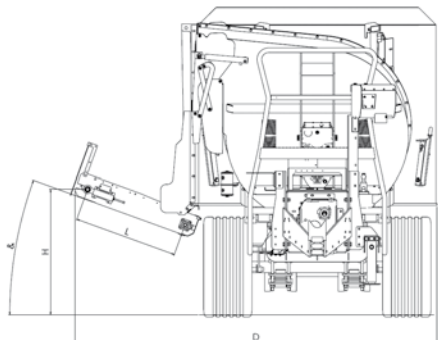
technical specifications "MV triplo" series, side doors discharge

	A (mm.)	B (mm.)	C (mm.)	D (mm.)	E (mm.)	F (mm.)
MVL-30-T	8.880	3.075	2.563	2.242	512	940
MVL-35-T	8.960	3.315	2.693	2.242	512	940
MVL-40-T	9.040	3.595	2.563	2.242	512	940
MVL-45-T	9.460	3.665	2.563	2.242	512	940

NOTA: Con opción picadora "A" + 400 mm.



DISCHARGE HEIGHT



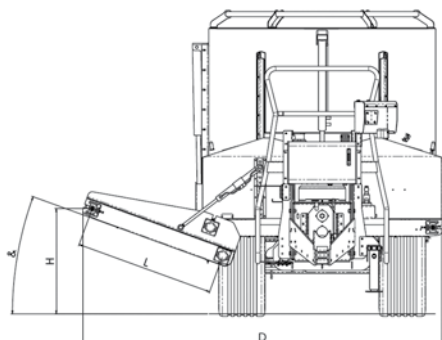
	&	Tyres	L=930		L=1.180		L=1.430	
			H (mm.)	D (mm.)	H (mm.)	D (mm.)	H (mm.)	D (mm.)
MVL-30-T	30°	445/45 R19,5 - 220	1.200	3.285	1.350	3.585	1.450	3.735
MVL-35-T	30°	445/45 R19,5 - 220	1.200	3.285	1.350	3.585	1.450	3.735
MVL-40-T	30°	445/45 R19,5 - 220	1.200	3.285	1.350	3.585	1.450	3.735
MVL-45-T	30°	445/45 R19,5 - 220	1.200	3.285	1.350	3.585	1.450	3.735

technical specifications "MV triplo" series, front/back unloading conveyor belt



	A (mm.)	B (mm.)	C (mm.)	D (mm.)	E (mm.)	F (mm.)
MV-30-T	9.900	3.020	2.400	2.265	550	920
MV-35-T	9.980	3.260	2.530	2.265	550	920
MV-40-T	10.060	3.540	2.530	2.265	550	920
MV-45-T	10.480	3.610	2.530	2.265	550	920

DISCHARGE HEIGHT



	&	Tyres	L=1.000	
			H (mm.)	D (mm.)
MV-30-T	30°	445/45 R19,5 - 220	1.405	1.586
MV-35-T	30°	445/45 R19,5 - 220	1.405	1.586
MV-40-T	30°	445/45 R19,5 - 220	1.405	1.586
MV-45-T	30°	445/45 R19,5 - 220	1.405	1.586

TATOMA®

GRUPO



UNE EN ISO
9001:2000

N° 0.04.03211



**INGENIERÍA Y MONTAJES MONZÓN, S.L.
(INMOsa)**

Polígono Industrial PAULES 53-55
22400 Monzón (Huesca) ESPAÑA

Tel: (+34) 974 401 336
FAX: (+34) 974 400 670

inmosa@grupotatoma.com
www.grupotatoma.com

Distributor