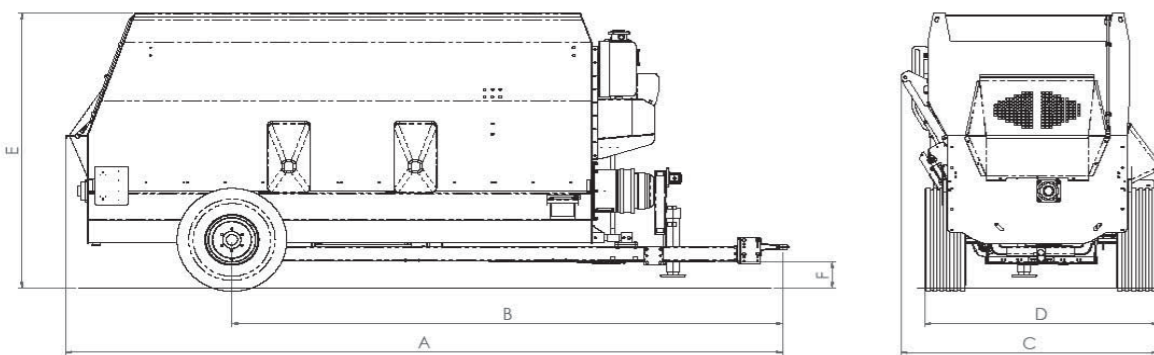


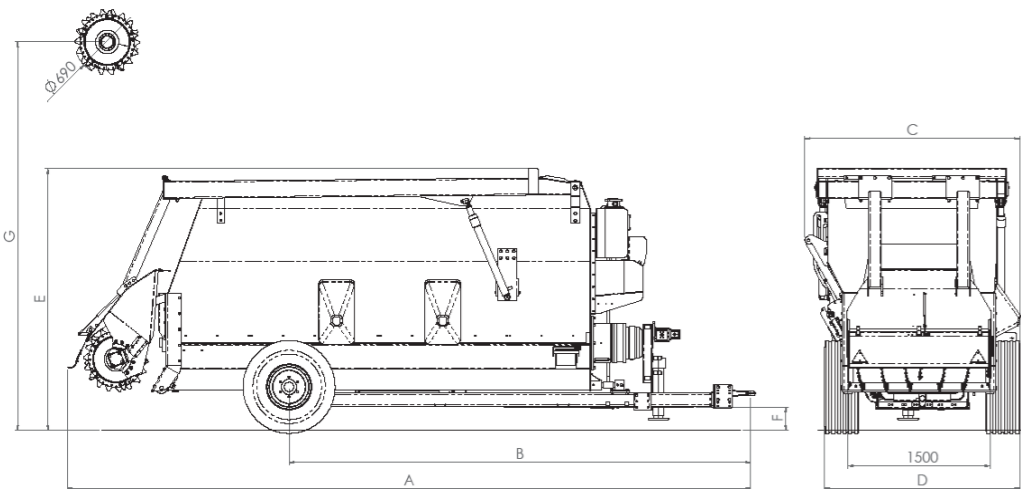
## technical specifications single-auger horizontal mixer mod. MT

	Capacity m <sup>3</sup>	Power CV	Tyres	A (mm.)	B (mm.)	C (mm.)	D (mm.)	E (mm.)	F (mm.)	G (mm.)	Weight on empty Kg.
<b>MT-7</b>	7	50	12,5/80 - 15,3	5,350	4,250	1,950	1,932	2,220	315	700	2,700
<b>MT-10</b>	10	60	12,5/80 - 15,3	5,900	4,600	2,150	2,032	2,420	215	700	3,500
<b>MT-13</b>	13	75	13,5/75 - 430,9	6,200	4,800	2,271	2,062	2,620	245	700	3,700
<b>MT-16</b>	16	110	385/65 - R 22,5	6,800	5,300	2,350	2,281	2,820	340	850	5,000
<b>MT-20</b>	20	120	385/65 - R 22,5	7,050	5,450	2,500	2,381	2,970	340	850	5,500
<b>MT-25</b>	25	150	385/65 - R 22,5	7,600	5,720	2,680	2,481	3,320	385	850	6,200

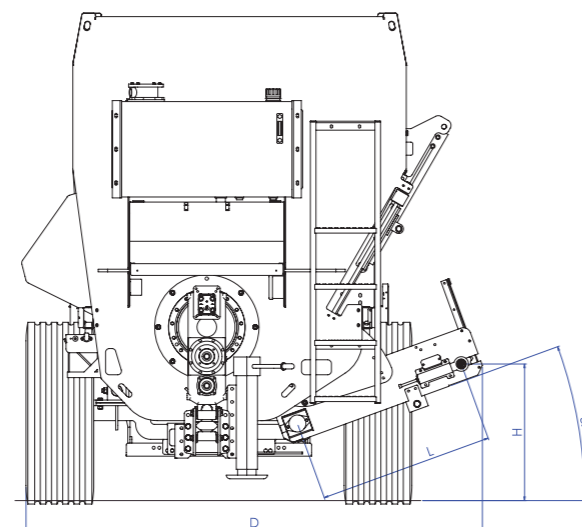


## technical specifications single-auger horizontal mixer with cutter mod. MTD

	Capacity m <sup>3</sup>	Power CV	Tyres	A (mm.)	B (mm.)	C (mm.)	D (mm.)	E (mm.)	F (mm.)	G (mm.)	Weight on empty Kg.
<b>MT-7D</b>	7	60	12,5/80 - 15,3	6,200	4,250	1,950	1,932	2,400	315	4,000	4,000
<b>MT-10D</b>	10	75	12,5/80 - 15,3	6,750	4,600	2,150	2,032	2,600	215	4,000	4,800
<b>MT-13D</b>	13	100	13,5/80 - 15,3	7,300	4,800	2,271	2,062	2,800	245	4,000	5,000
<b>MT-16D</b>	16	120	385/65 - R 22,5	7,700	5,300	2,350	2,281	3,000	340	4,300	6,300



MODEL	&	TYRES	mm.					
			L=930		L=1230		L=1430	
			H (mm)	D (mm)	H (mm)	D (mm)	H (mm)	D (mm)
<b>MT7/MT7D</b>	30°	12,5/80-15,3	750	2.250	900	2.380	1.000	2.467
		385/65 R22,5	843	2.289	993	2.419	1.093	2.506
<b>MT10/MT10D</b>	30°	12,5/80-15,3	750	2.450	900	2.580	1.000	2.667
		385/65 R22,5	843	2.489	993	2.619	1.093	2.706
<b>MT13/MT13D</b>	30°	13,5/75-430,9	750	2.571	900	2.701	1.000	2.788
		385/65 R22,5	843	2.591	993	2.721	1.093	2.808
<b>MT16/MT16D</b>	30°	385/65 R22,5	850	2.830	1.000	2.960	1.100	3.047
		425/65 R22,5	872	2.863	1.022	2.993	1.122	3.080
		445/65 R22,5	888	2.867	1.038	2.997	1.137	3.084
<b>MT20/MT20D</b>	30°	385/65 R22,5	850	2.800	1.000	2.930	1.100	3.017
		425/65 R22,5	872	2.833	1.022	2.963	1.122	3.050
		445/65 R22,5	888	2.837	1.038	2.967	1.137	3.054
<b>MT25</b>	30°	18 R 22,5	1.100	2.980	1.250	3.110	1.350	3.197
		445/65 R22,5	1.100	2.980	1.250	3.110	1.350	3.197



**NEW!**

## KIT FOR ROUND BALES

This new system allows the bale to stay at the top of the auger and be broken down gradually preventing it from blocking and breaking the gearbox. Lateral beaters push the bale towards the ends improving product circulation and moving the bale so that it is broken down faster.

OPTIONAL



Programmable weighing system

OPTIONAL



Programmable weighing system

OPTIONAL



Electric controls with cable

OPTIONAL



Wireless electric controls

**TATOMA**  
GRUPO



UNE EN ISO  
9001:2000  
N° 0.04.03211



INGENIERÍA Y MONTAJES MONZÓN, S.L.  
(INMOSA)

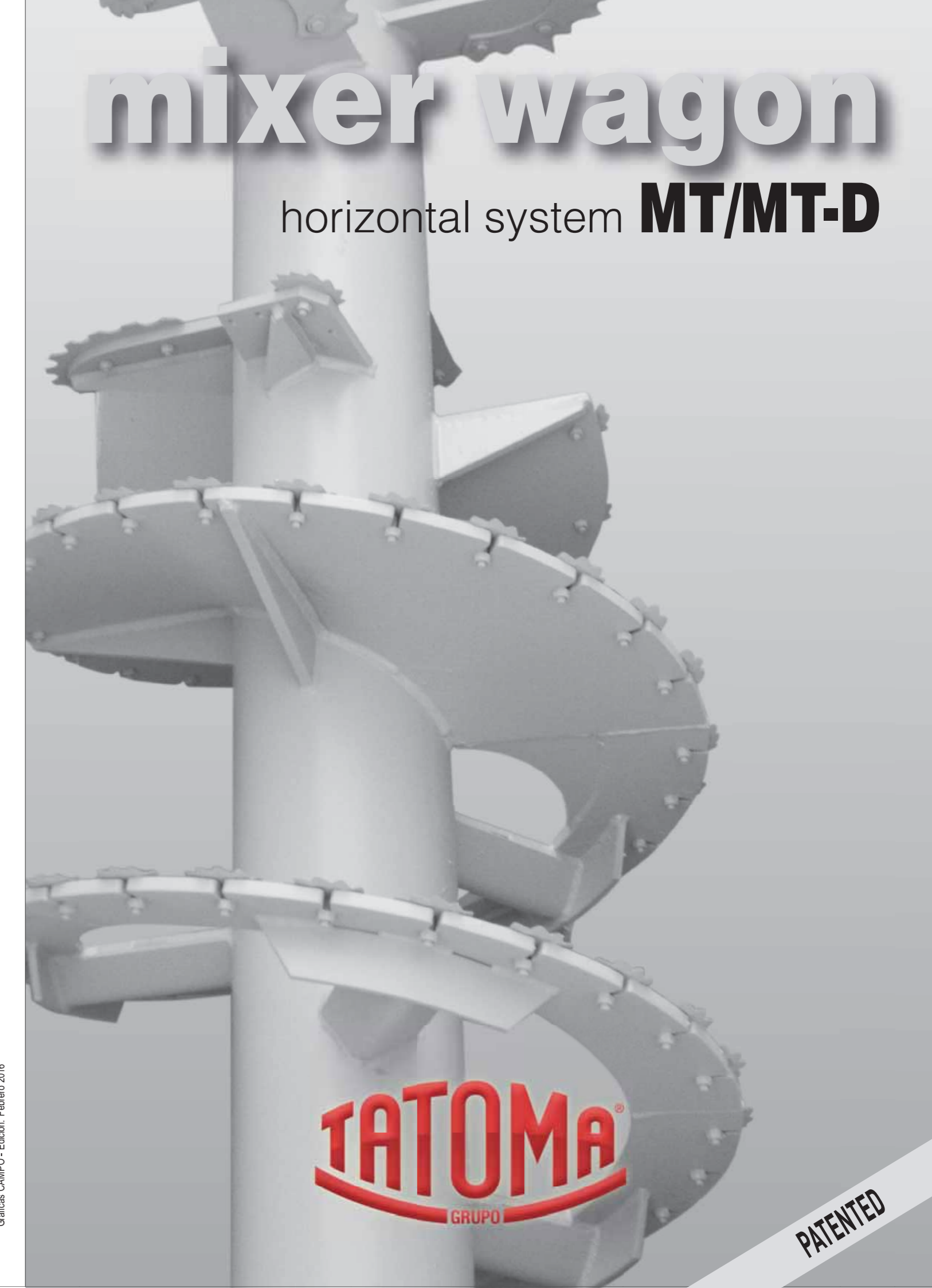
Polígono Industrial PAULES 53-55  
22400 Monzón (Huesca) ESPAÑA

Tel: (+34) 974 401 336  
FAX: (+34) 974 400 670

inmosa@grupotatoma.com  
www.grupotatoma.com

Distribuidor

Gráficas CAMPO - Edición: Febrero 2016



PATENTED



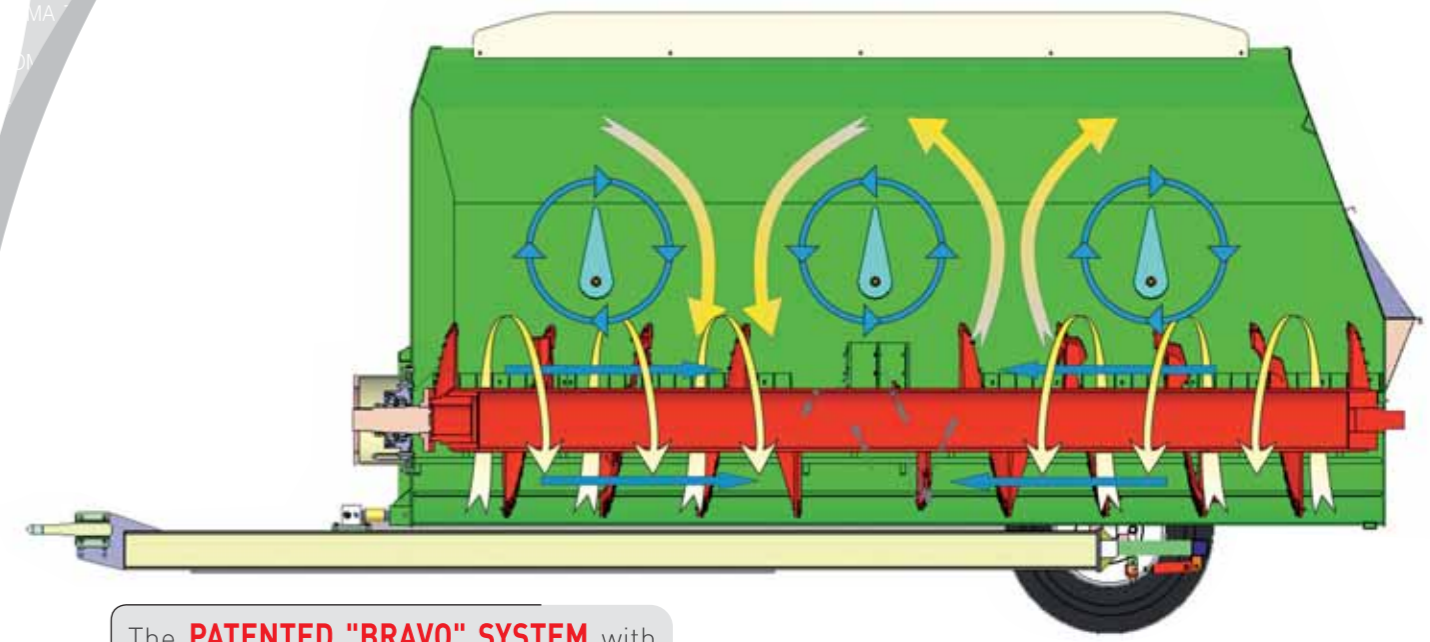


OPTIONNEL  
Mudguard

SERIAL Independent hydraulic unit as standard



OPTIONNEL  
Hydraulic-brake



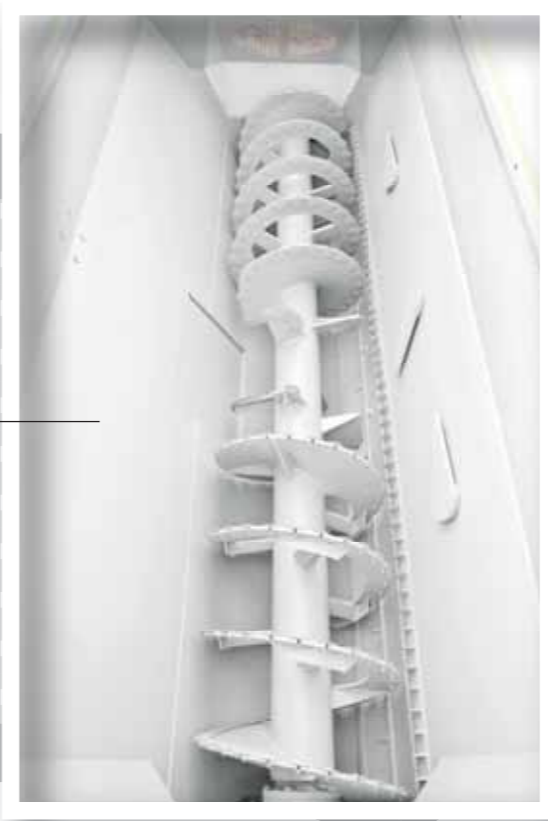
The **PATENTED "BRAVO" SYSTEM** with its non-continuous auger and side beaters eliminates mechanisms and moves the feed lengthwise, transversally and through spirals and spokes, minimizing crushing and compression of the mixture, resulting in a homogeneous, fluffy mix quality, facilitating the animal's ingestion. The system also allows a reduction in the power consumed compared to older mixing and chopping systems, saving approximately 20% on mixing time.



OPTIONNEL  
Discharge belt hydraulic lift

**ADVANTAGES OF THE "BRAVO" SYSTEM**

- Fewer moving mechanisms (single non-continuous auger)
- Less risk of breakage
- Fewer maintenance costs
- Low power and fuel consumption
- Versatile system, capable of mixing any kind of product
- Easy to use



The **REAR MTD CUTTING MACHINE OPTION** is ideal for loading silage. The machine is equipped with a rear door that opens hydraulically. Its cutter, with an outer diameter of 690 mm and 1.500 mm in length, ensures maximum cutting efficiency and a yield of 110 Kg / min. The cutting arm lowering system is equipped with a security system with a pressure switch, preventing breakage in the event of finding a foreign object when loading".



OPTIONNEL  
Hydraulic stand



OPTIONNEL  
High tow bar



SERIAL Independent hydraulic unit as standard