

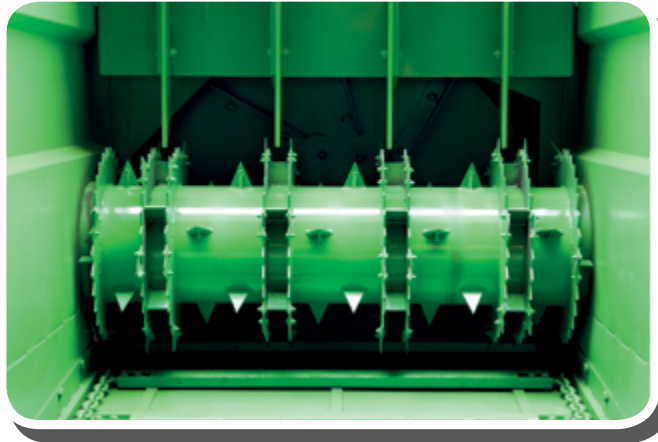
STRAW CHOPPER SILAGE SPREADER



TATOMA
GRUPO

CHOPPING SYSTEMS

FOR COWS



Mod. EM (Chopping drum and adjustable comb)



Mod. E (Choping disc)

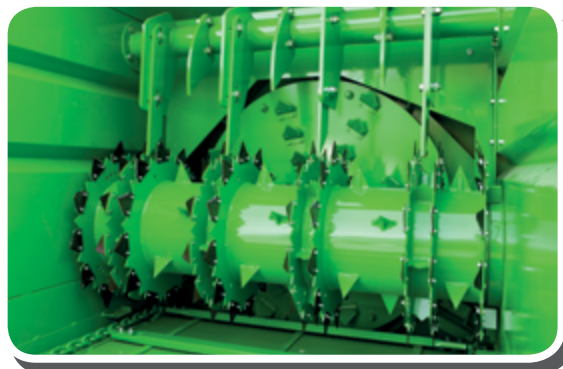
FOR POULTRY Mod. D



Detail mesh Ø 2,5-3 cm.
And chopping hammers (inner view)



Choping disc (Outer view)



Chopping drum
(option)

Rotary Chute 300°



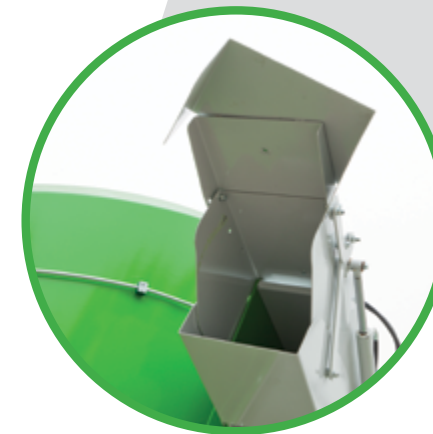
BACK ATTACHABLE BEDDER



TRACTOR THREE
POINT LIKAGE



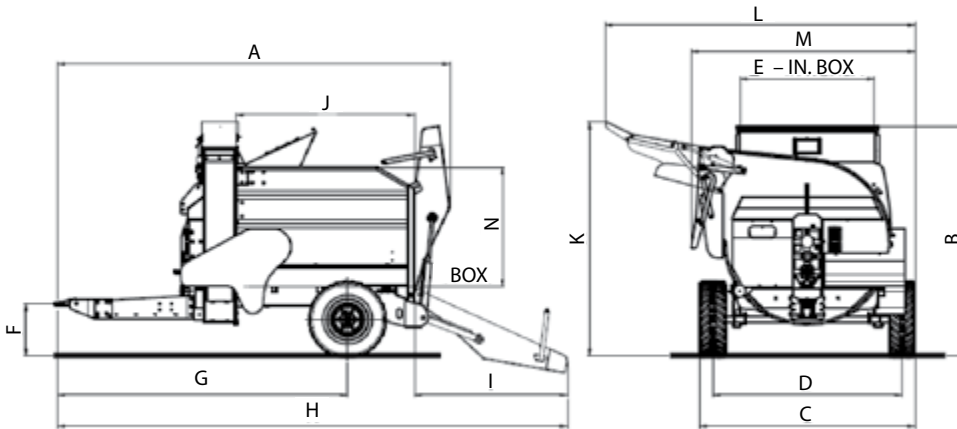
Side Chute 300°



Detail guiding cap
30 + 30°

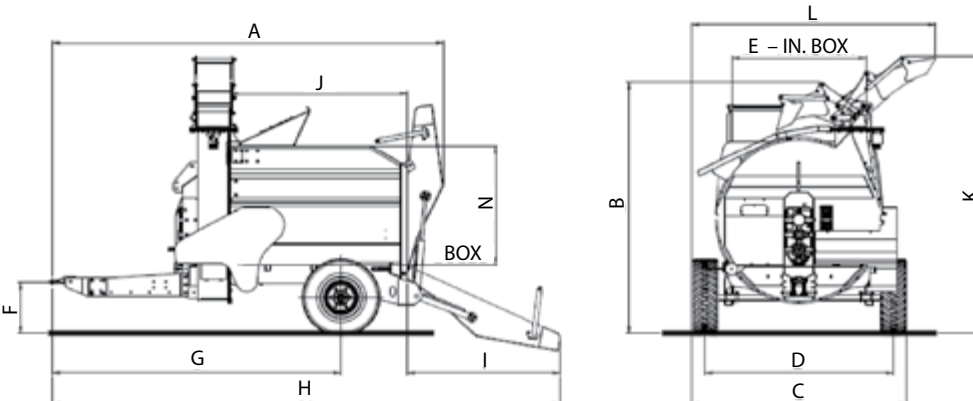
TECHNICAL SPECIFICATIONS

DIAGRAM SIDE CHUTE



TIRE 10.5/75 R15 18 PR 160

DIAGRAM ROTARY CHUTE



TIRE 10.5/75 R15 18 PR 160

Side Chute

Dimensions (mm)	EM/D- 300	
	A	3940
B	2330	2330
C	2160	2160
D	1900	1900
E	1350	1350
F	520	520
G	2915	2915
H	5125	5125
I	1540	1540
J	1790	1790
K	2370	2820
L	3110	2460
M	2250	2250
N	1210	1210

Rotary Chute

Dimensions (mm)	EM/D- 600	
	A	5640
B	2560	2560
C	2160	2160
D	1900	1900
E	1350	1350
F	520	520
G	4060	4060
H	6820	6820
I	1540	1540
J	3500	3500
K	2370	2820
L	3110	2460
M	2250	2250
N	1210	1210

TATOMA®

GRUPO

AGENT



INGENIERÍA Y MONTAJES MONZÓN, S.L.
(INMOSA)

Polígono Industrial PAULES 53-55
22400 Monzón (Huesca) ESPAÑA

Tel: (+34) 974 401 336
FAX: (+34) 974 400 670

inmosa@grupotatoma.com
www.grupotatoma.com